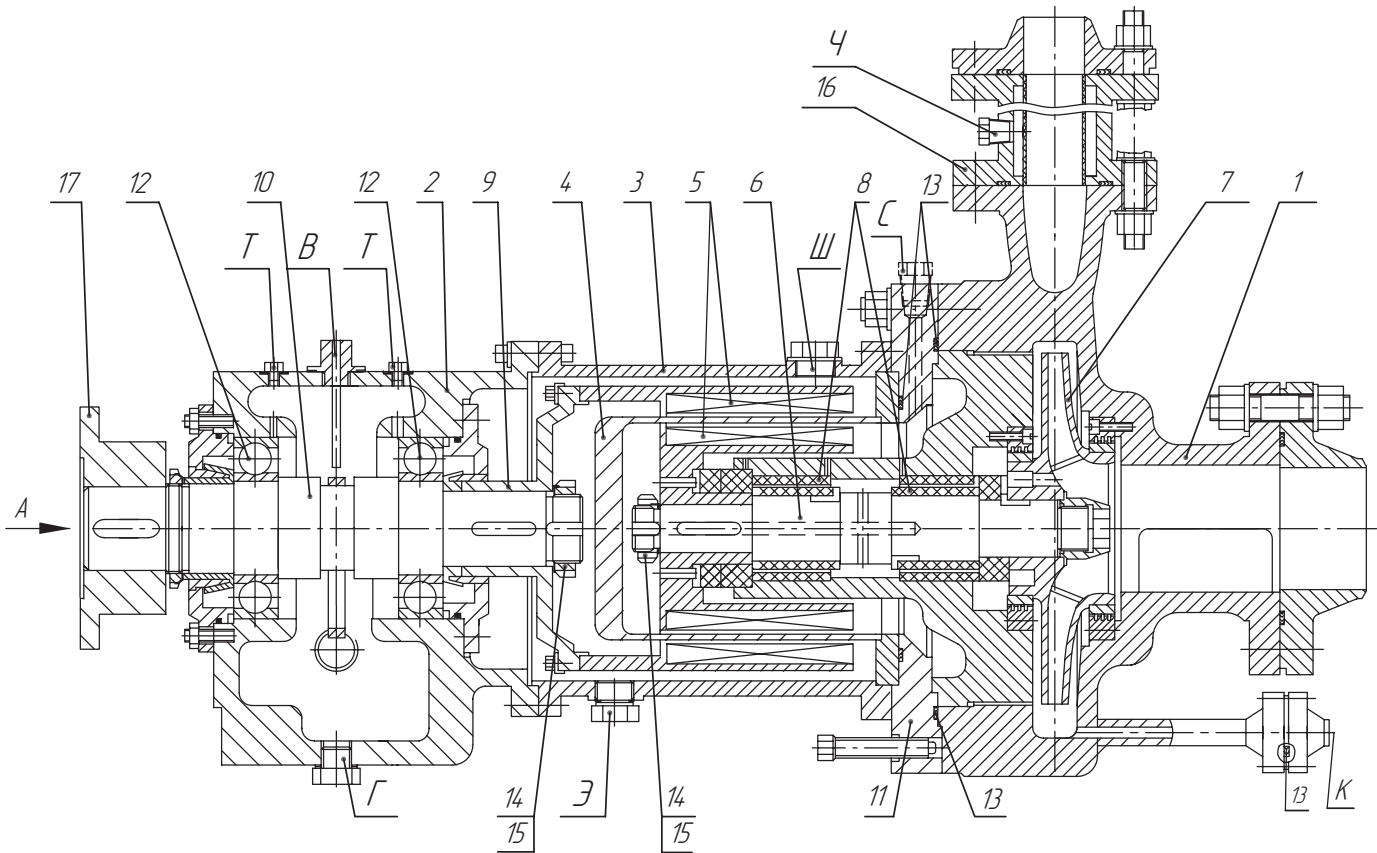


Pump TKAm210/80

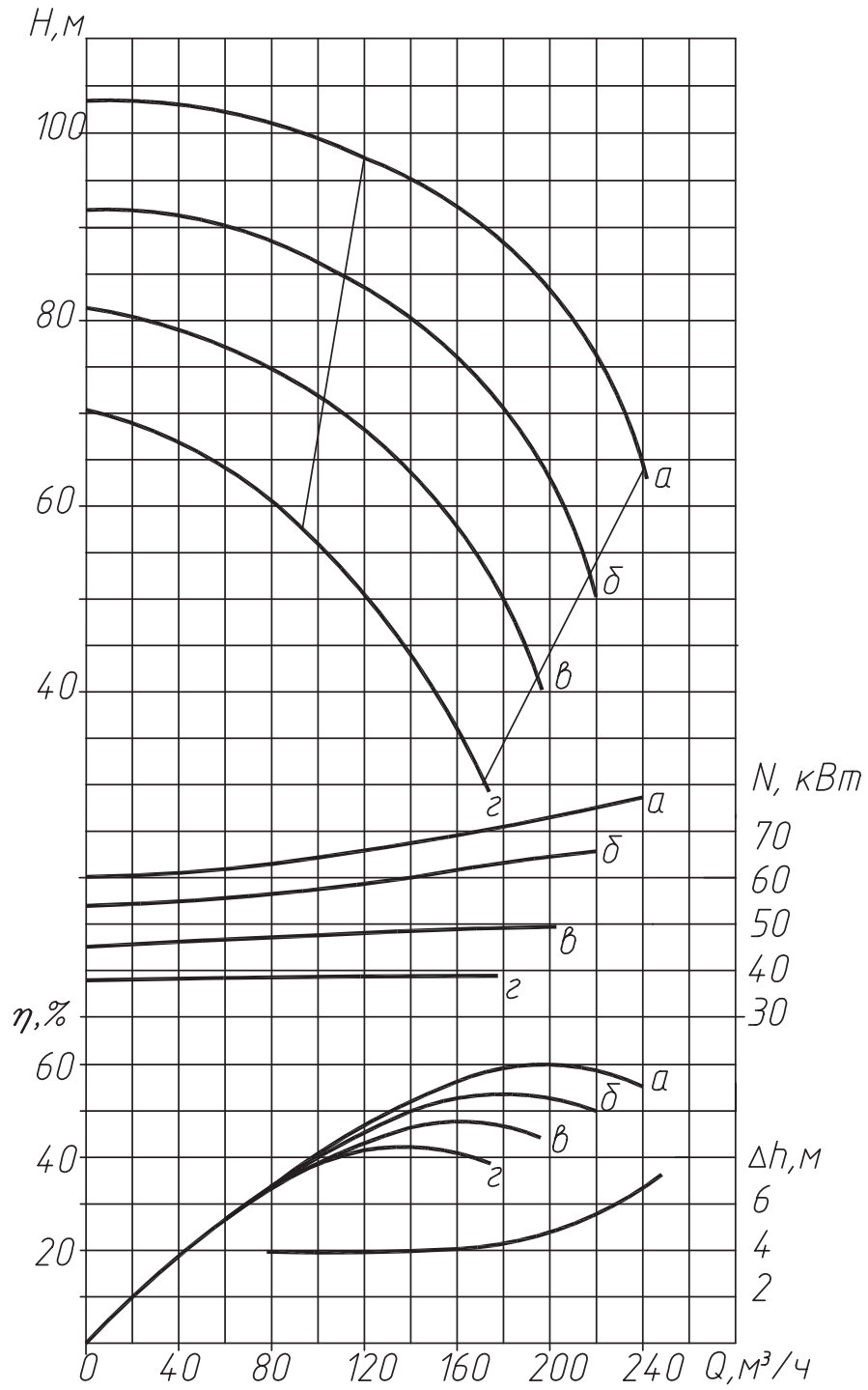
(glandless with magnetic drive)



- | | |
|----------------------------|----------------------------------|
| 1. Pump casing; | 9. Hub; |
| 2. Bearing bracket; | 10. Drive shaft; |
| 3. Segment-shaped bracket; | 11. Pump cover; |
| 4. Sealing screen; | 12. Radial-thrust ball bearings; |
| 5. Magnetic clutch; | 13. Spiral-wound gaskets; |
| 6. Rotor shaft; | 14-15. Nut-washer; |
| 7. Impeller; | 16. Self-cleaning filter; |
| 8. Journal bearings; | 17. Half-clutch |

Performance of pump TKAм210/80

$n = 2950 \text{ rev/min}$ $\gamma = 0,01 \text{ cm}^2/\text{s}$ $\rho = 1000 \text{ kg/m}^3$



Outline drawing of pump TKAm210/80

