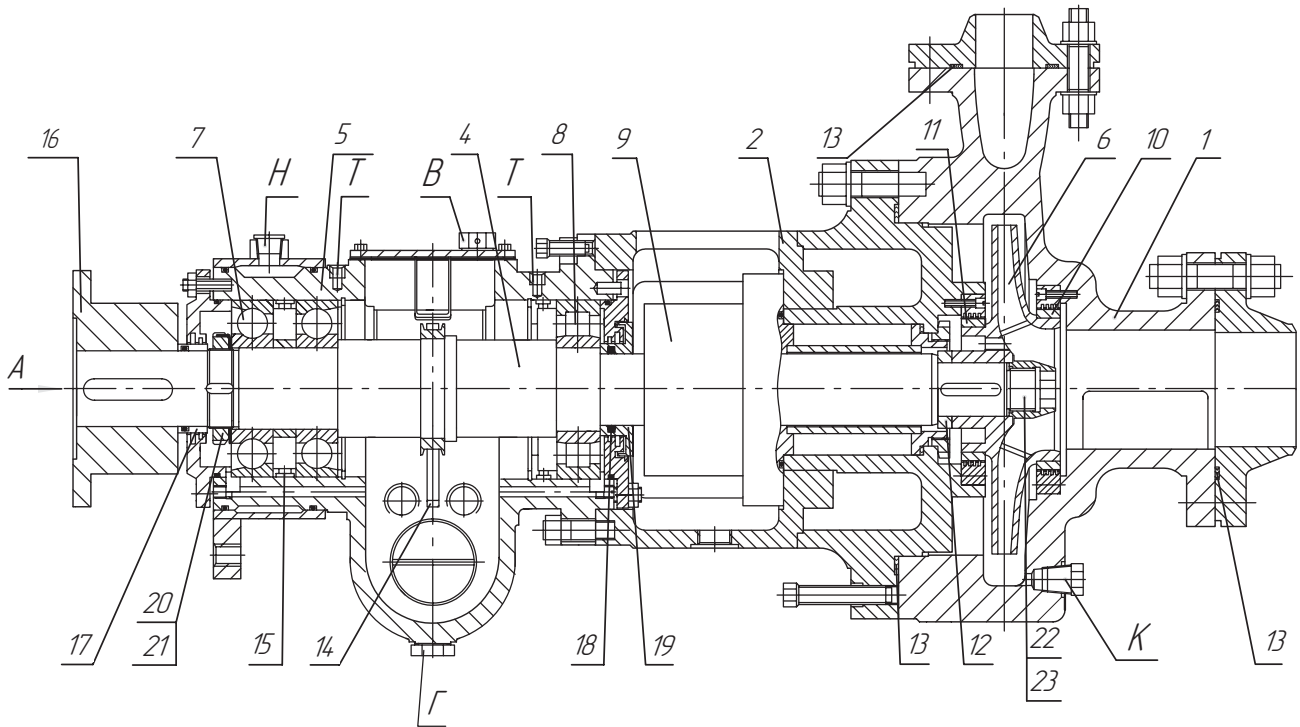
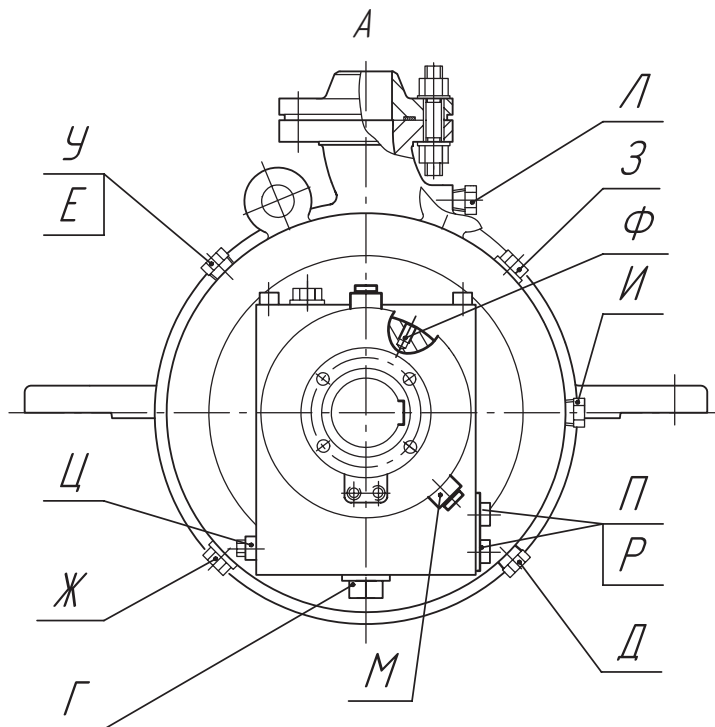


# Pump TKA600/80

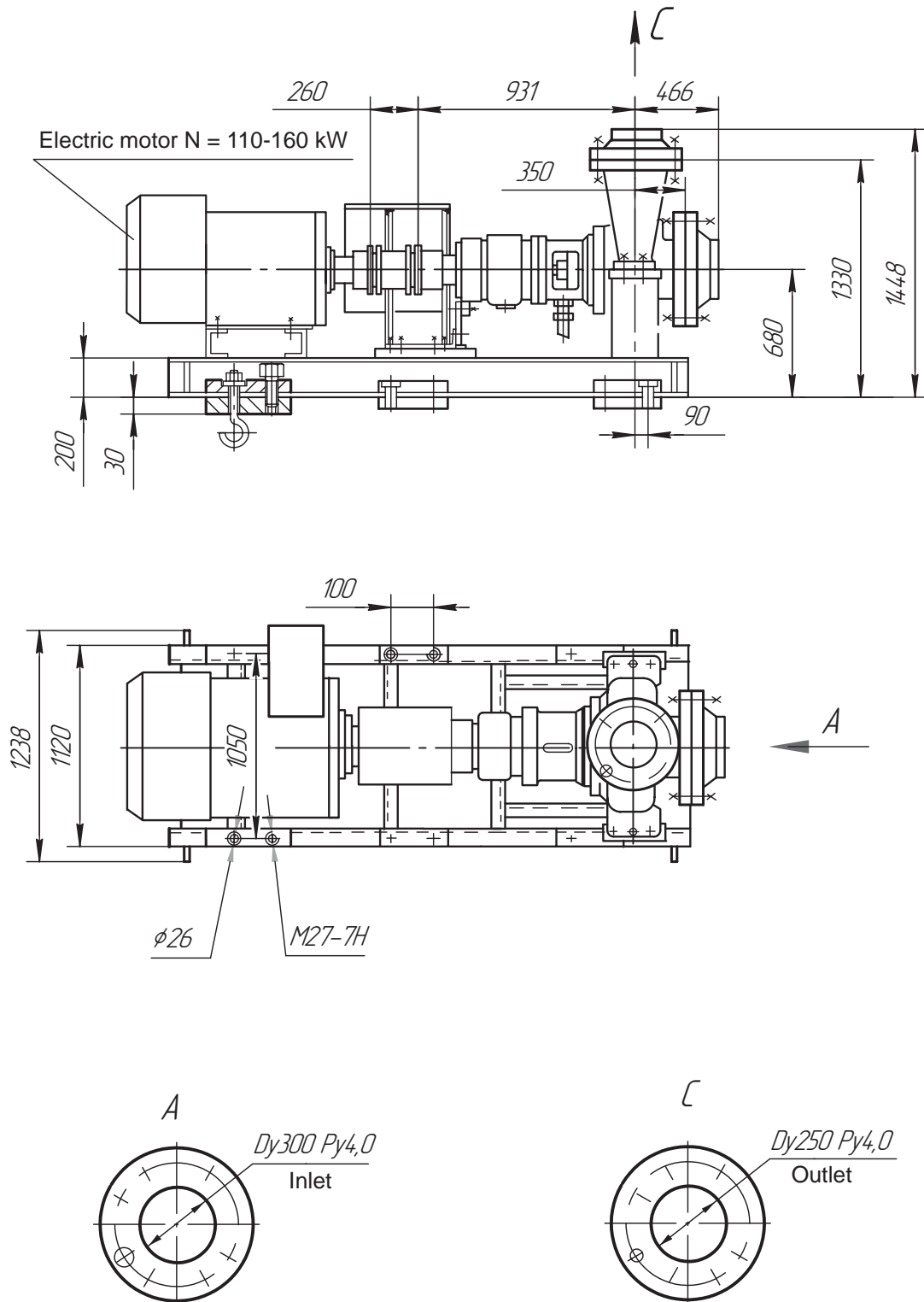


- |                                 |                              |
|---------------------------------|------------------------------|
| 1. Pump casing;                 | 13. Spiral-wound gaskets;    |
| 2. Pump cover;                  | 14. Oil supply ring;         |
| 4. Shaft;                       | 15. Complete set of washers; |
| 5. Bearing housing;             | 16. Halfcoupling;            |
| 6. Impellers;                   | 17. Barrel;                  |
| 7. Radial-thrust ball bearings; | 18. Seal rings;              |
| 8. Rolling radial bearings;     | 19. Baffle ring;             |
| 9. Shaft sealing;               | 20-21. Nut-washer;           |
| 10-11. Sealing rings (rotary);  | 22-23. Nut-washer (rotary).  |
| 12. Barrel;                     |                              |



# Outline drawing of pump TKA600/80

## Welded frame



Note: Frame (plate) length dimension, quantity and location of holes for foundation bolts subject to clarification for specific type of electric motor.