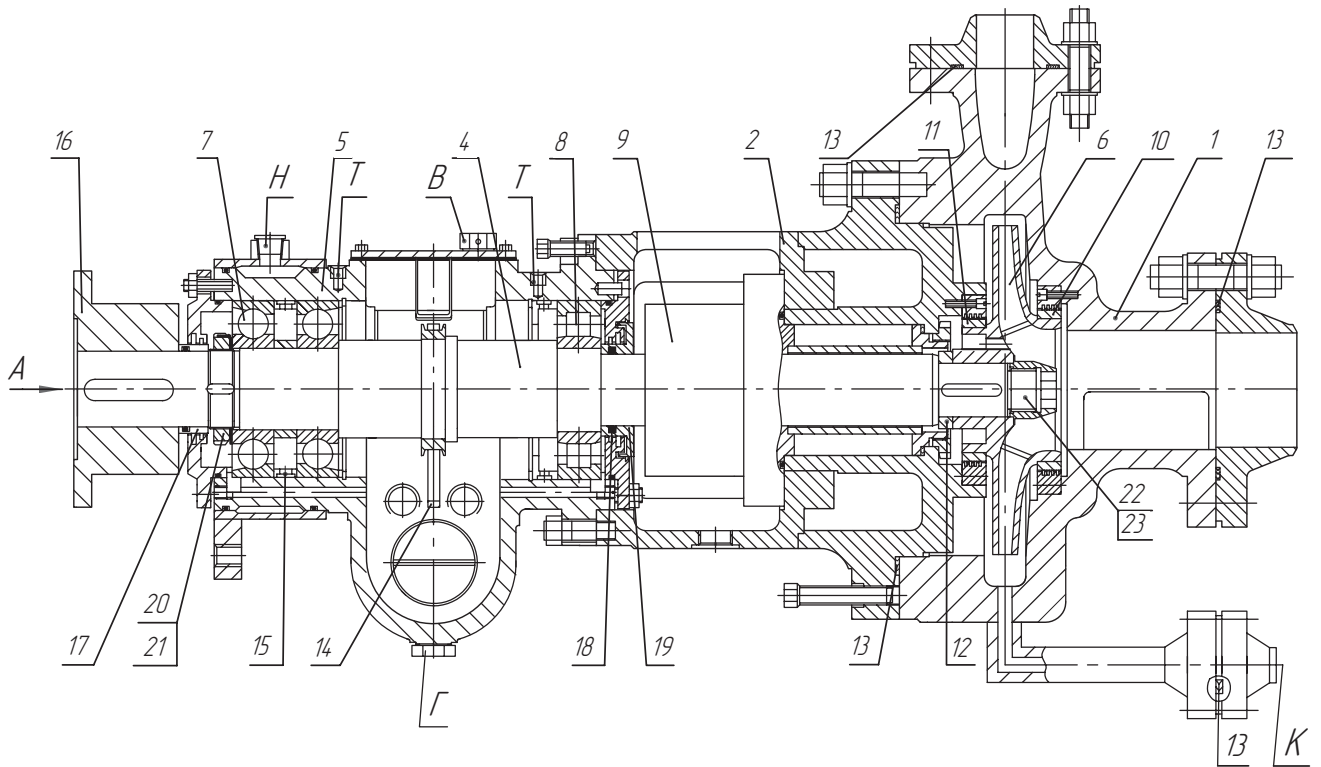
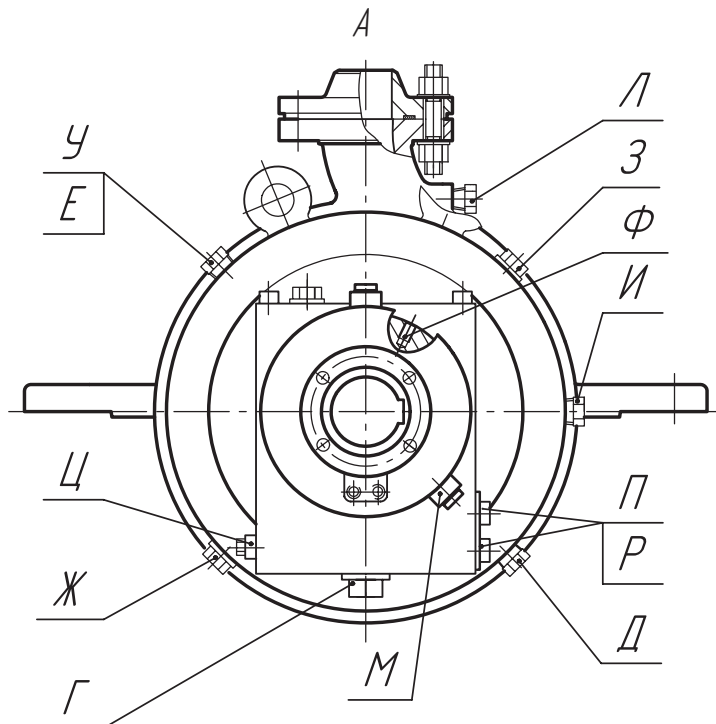


# Pump TKA210/80

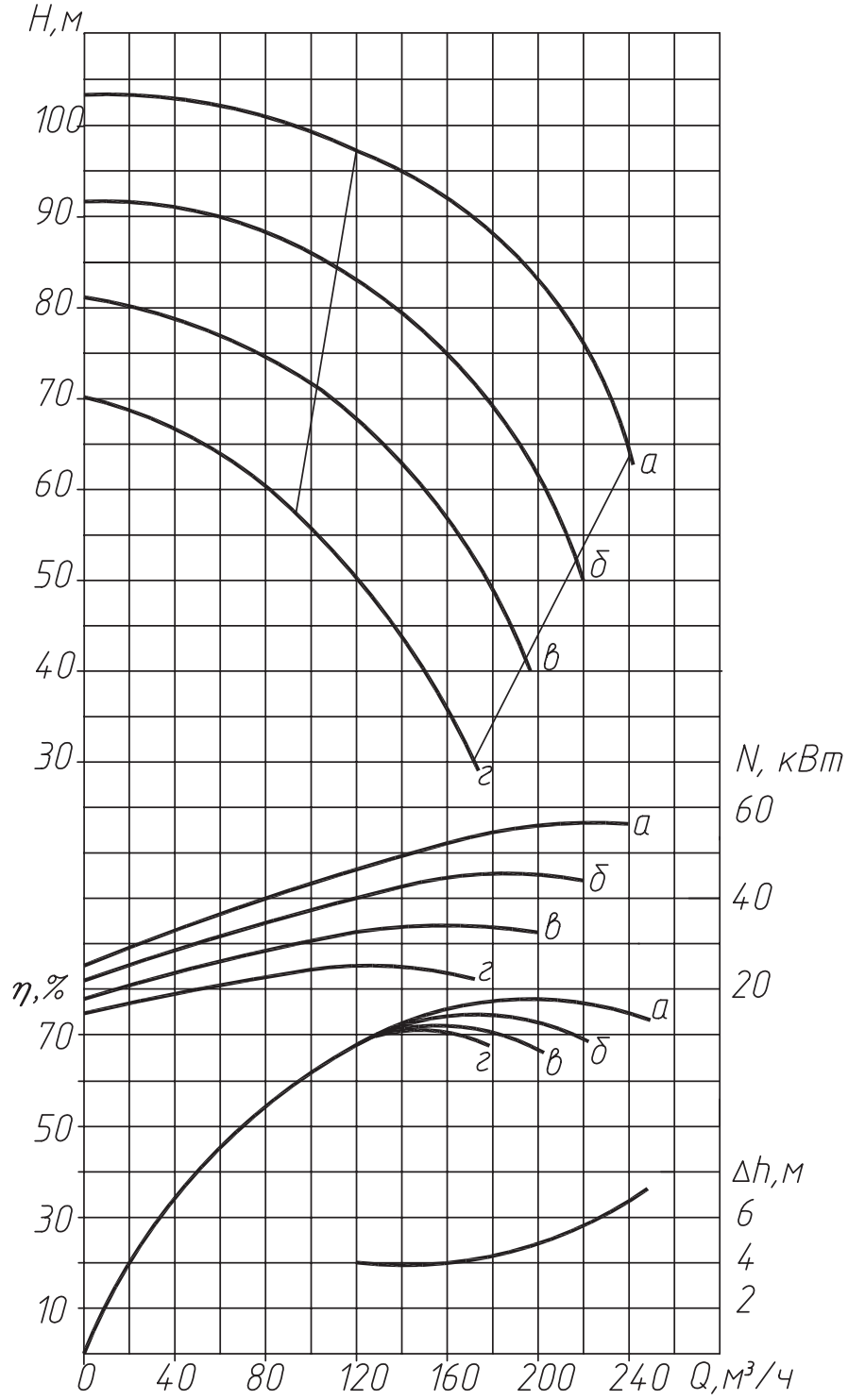


- |                                 |                              |
|---------------------------------|------------------------------|
| 1. Pump casing;                 | 13. Spiral-wound gaskets;    |
| 2. Pump cover;                  | 14. Oil supply ring;         |
| 4. Shaft;                       | 15. Complete set of washers; |
| 5. Bearing housing;             | 16. Halfcoupling;            |
| 6. Impellers;                   | 17. Barrel;                  |
| 7. Radial-thrust ball bearings; | 18. Seal rings;              |
| 8. Rolling radial bearings;     | 19. Baffle ring;             |
| 9. Shaft sealing;               | 20-21. Nut-washer;           |
| 10-11. Sealing rings (rotary);  | 22-23. Nut-washer (rotary).  |
| 12. Barrel;                     |                              |



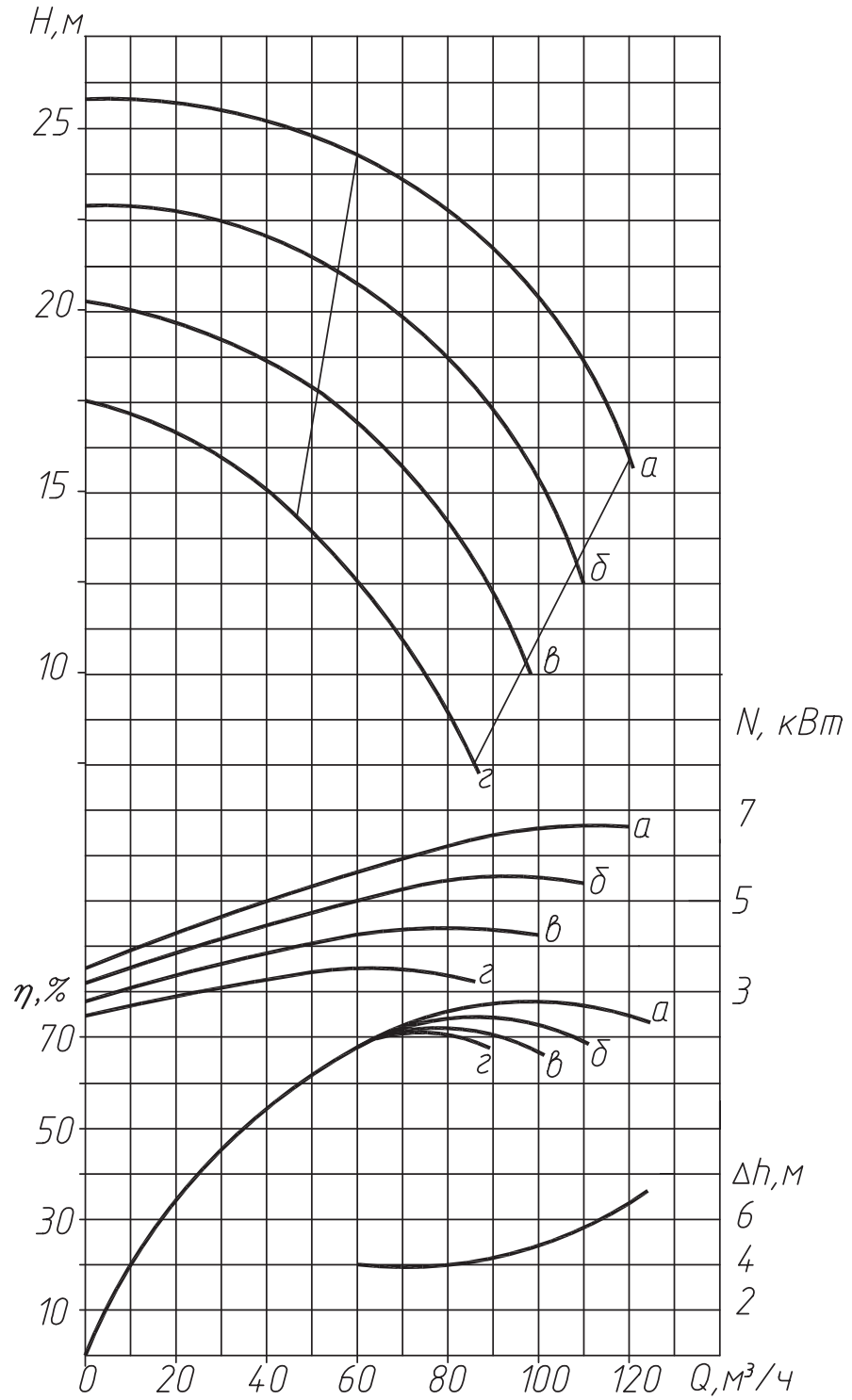
# Performance of pump TKA210/80

$n = 2950 \text{ rev/min}$   $\nu = 0,01 \text{ cm}^2/\text{s}$   $\rho = 1000 \text{ kg/m}^3$

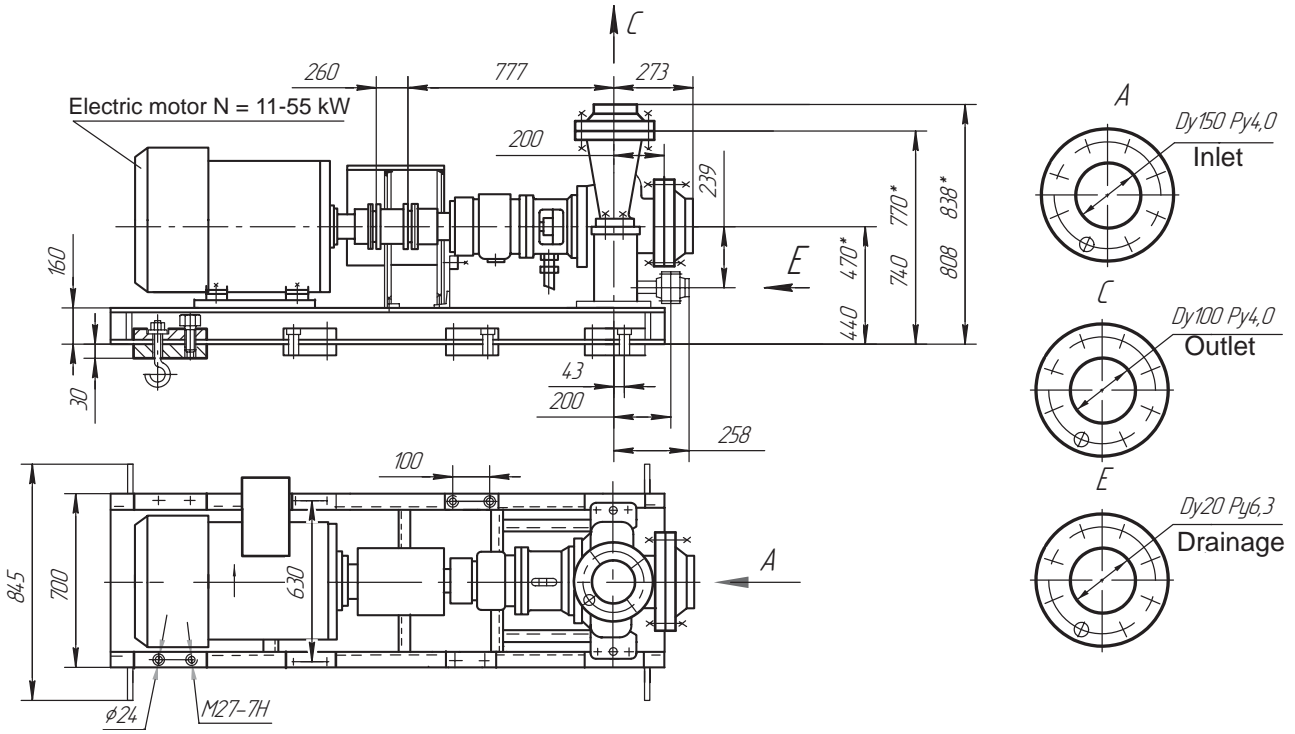


# Performance of pump TKA210/80

$n = 1475 \text{ rev/min}$   $\gamma = 0,01 \text{ cm}^2/\text{s}$   $\rho = 1000 \text{ kg/m}^3$

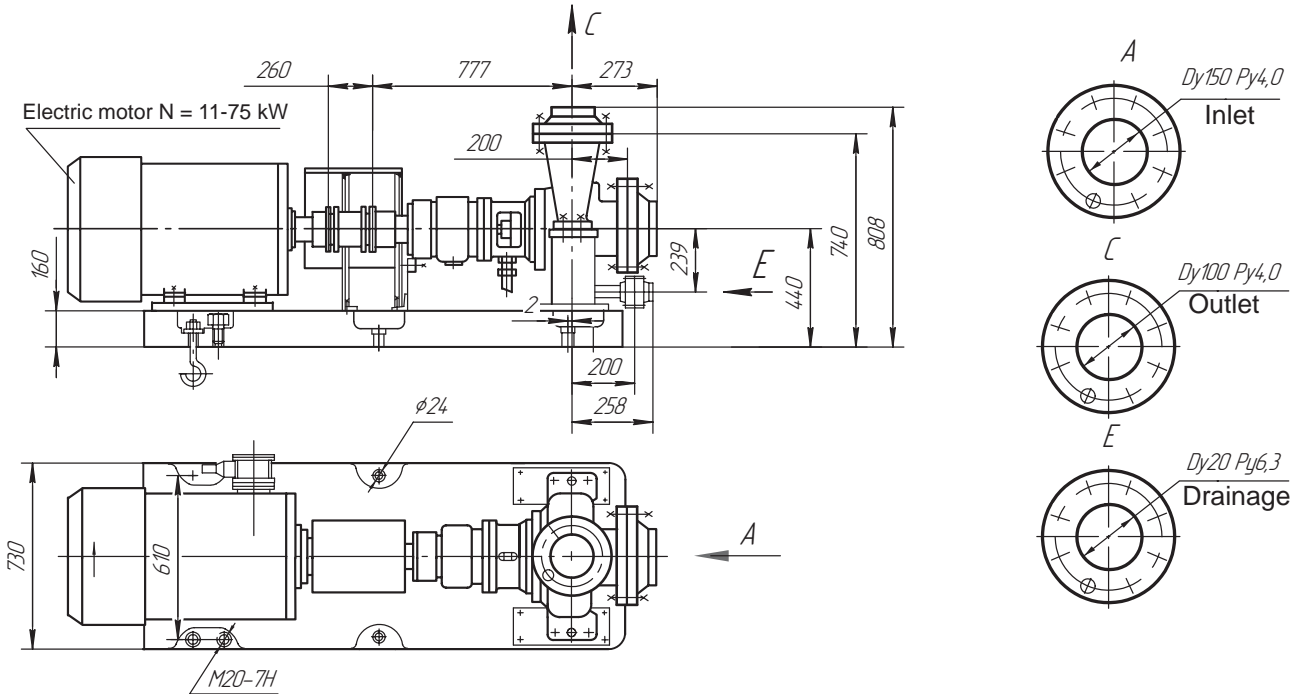


## Outline drawing of pump TKA210/80 Welded frame



Dimensions for electric motor N=75 kW U=380/660V

## Cast plate



**Note:** Frame (plate) length dimension, quantity and location of holes for foundation bolts subject to clarification for specific type of electric motor.