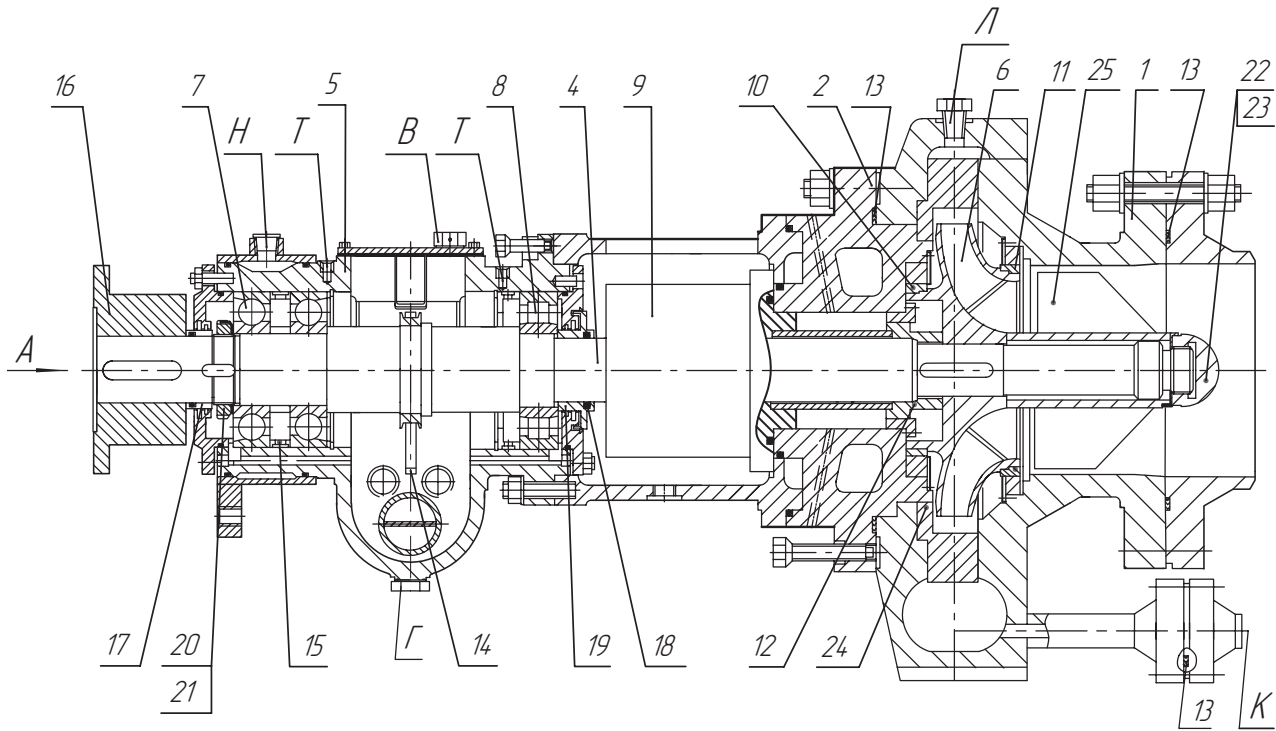
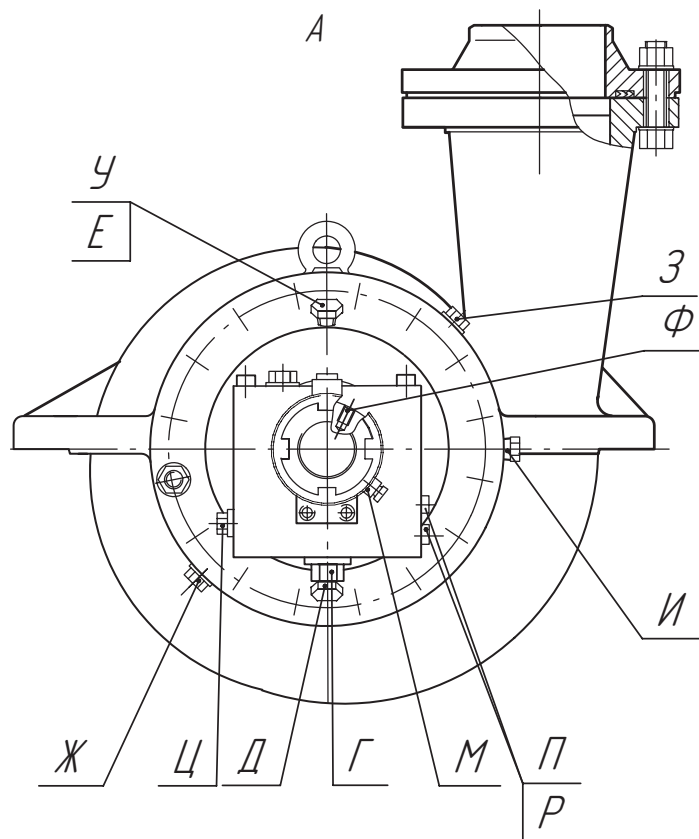


Pump HKB210/200

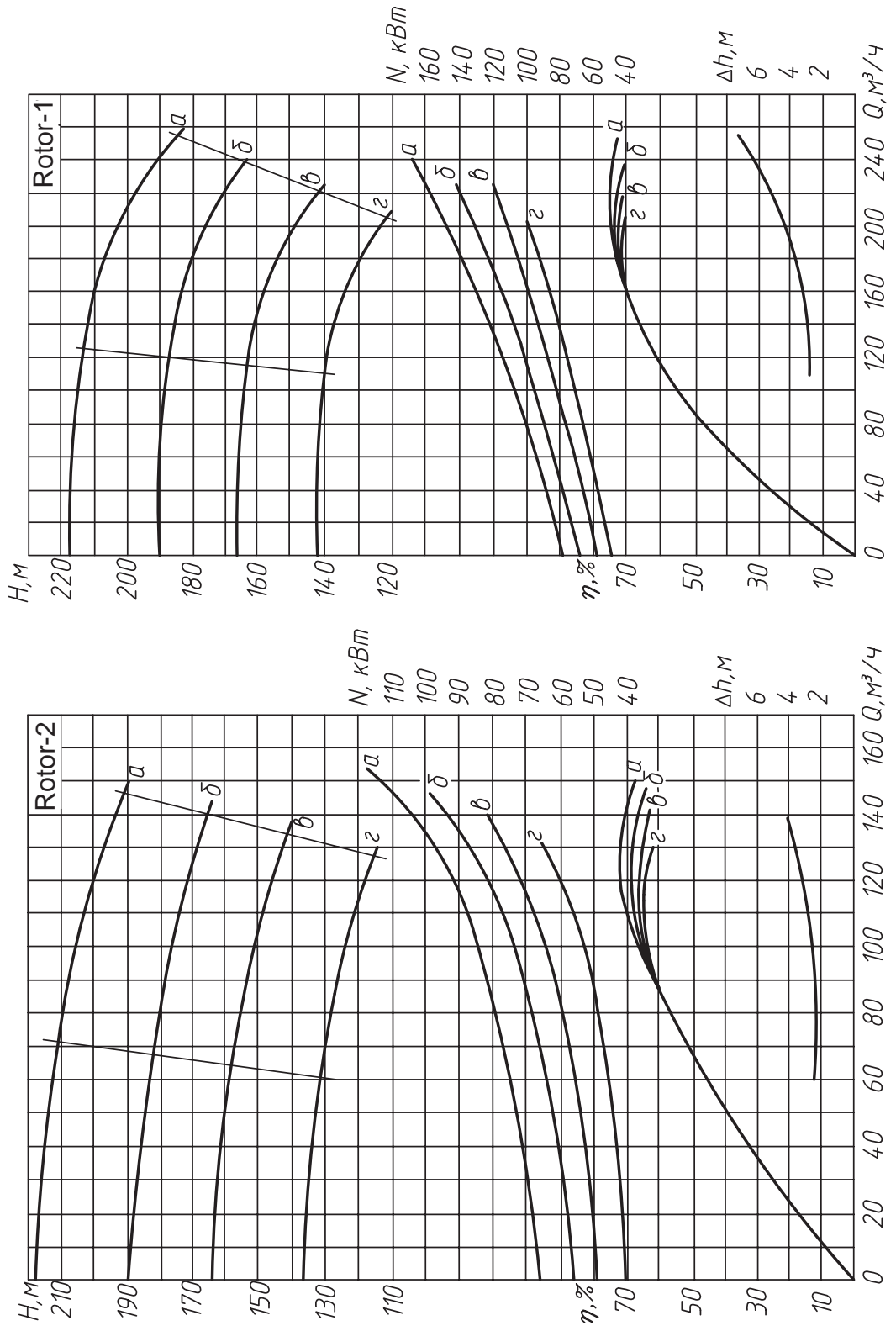


- | | |
|---------------------------------|------------------------------|
| 1. Pump casing; | 14. Oil supply ring; |
| 2. Pump cover; | 15. Complete set of washers; |
| 4. Shaft; | 16. Halfcoupling; |
| 5. Bearing housing; | 17. Barrel; |
| 6. Impellers; | 18. Seal rings; |
| 7. Radial-thrust ball bearings; | 19. Baffle ring; |
| 8. Rolling radial bearings; | 20-21. Nut-washer; |
| 9. Shaft sealing; | 22-23. Nut-washer (rotary). |
| 10-11. Sealing rings (rotary); | 24. Pump diffuser |
| 12. Barrel; | 25. Twisted gear |
| 13. Spiral-wound gaskets; | |



Performance of pump HKB210/200

$n = 2950 \text{ rev/min}$ $\gamma = 0,01 \text{ cm}^2/\text{s}$ $\rho = 1000 \text{ kg/m}^3$



Performance of pump HKB210/200

$n = 1475 \text{ rev/min}$ $\gamma = 0,01 \text{ cm}^2/\text{s}$ $\rho = 1000 \text{ kg/m}^3$

